



concept

CRIOG92051CON

CRIOG920CON

GTIN: 8059225282069

concept 300 Style Washbasin Single-Lever Mixer Regular without Pop-Up Waste Chrome
mixing, without pop-up waste, chrome

concept 300

CRIOG92051CON

ARTICLE DETAILS

Product type: Mixer

Handle type: Single-lever

Function: Washbasin

Size: Regular

Number of holes: 1

Position: for deck mounting

Mixing type: mechanical

Pop-up waste included: no

Flow rate (3 bar): 5.6 l/min

chrome

Usage note

Only standard tools required

PROPERTIES

COMMERCIAL DATA

Minimum order quantity	1 pc
------------------------	------

DIMENSIONS (PRODUCT INCL. PACKAGING)

Length	190 mm
--------	--------

Width	350 mm
-------	--------

Height	72 mm
--------	-------

Volume	4.788 cm ³ (4,79 l)
--------	--------------------------------

Weight	1,2 kg
--------	--------

CHARACTERISTICS

Product group	Washbasin mixer
---------------	-----------------

Base color	Chrome
------------	--------

BATTERIES

Contains battery	No
------------------	----

CRIOG92051CON

DANGEROUS GOODS

Dangerous goods No

HAZARDOUS SUBSTANCES

Hazardous substance No

IMPORT/EXPORT

Country of origin Italy

Statistical commodity code Sanitary mixing faucets
(84818011)

LOGISTICS

Delivery time (working days) 20 days

Unlimited shelf life Yes

Shipping units 1

OTHER

SCIP Database ID 83871c40-da3d-4dd7-933d-a87e1250eb6b

SALES INFORMATION

Discontinued No

REGULATIONS

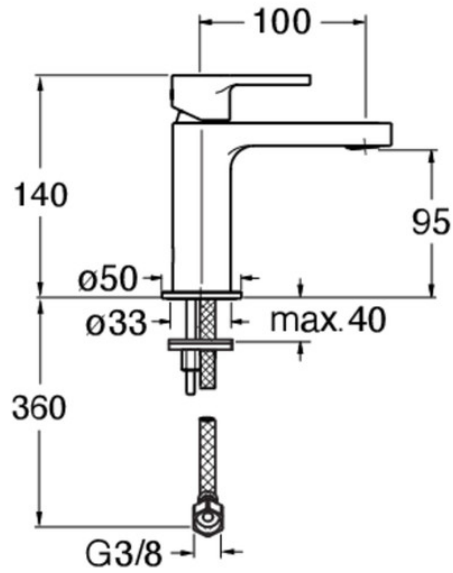
Registered in ECHA DB Yes

Meets UBA positive list requirements Yes

Subject to UBA positive list Yes

CRIOG92051CON

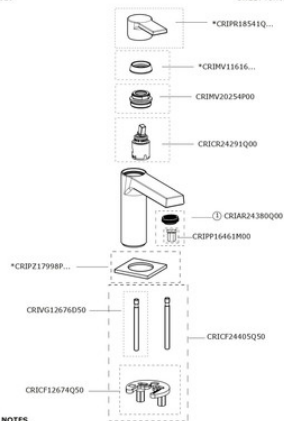
MORE IMAGES



OMEGA

CRIOG920

SCHEDA RICAMBI | SPARE PARTS SHEET rev.03_12/2024



NOTE | NOTES

* completare con codice finitura | complete with finishing code
 ① *CRIAR19974Q... 2 lit/min

CRISTINA S.p.A. è un marchio registrato
 Via G. Ferruzzi, 50 - 20124 Milano (MI) Italy - phone +39 02 5022 9345
 fax +39 02 5022 95036 - info@crystalgroup.com
 www.crystalgroup.com

CRISTINA
RUBINETTERIE