



concept

1957000

GTIN: 4260146236510

concept Electronic Washbasin Faucet Mixed Water

concept

1957000

ARTICLE DETAILS

concept Electronic washbasin faucet mixed water, with IR sensor control, internal Solenoid valve, connection 3/8" male, flow 5 l/min, power supply: 9V mains or 6x1.5V AA battery operation (power supply not included), sensor settings with Remote control or app (Bluetooth adapter required) adjustable

Usage note

No special usage note required

PROPERTIES

COMMERCIAL DATA

Minimum order quantity	1 pc
------------------------	------

DIMENSIONS (PRODUCT INCL. PACKAGING)

Length	207 mm
Width	54 mm
Height	146 mm
Volume	1.631,988 cm ³ (1,63 l)
Weight	1,8 kg

CHARACTERISTICS

Product group	Standing valve
Faucet material	Brass
Surface protection	Chrome-plated
Surface treatment	Polished
Mountingart	Deck/taphole
Base color	Chrome
Accent color	Chrome
Supply connection	Hose (screw fitting)
Supply connection size	3/8 inch

1957000

Faucet nozzle	Aerator
Spout design	Fixed
With rosettes	No
Max. flow capacity (at 300 kPa)	5 l/min
Volume flow class	without
Height to spout underside	127,00 mm
Spout projection	161 mm
Total height	146,00 mm
Design	Electronic
Handle type	Handle-free
Electronic control type	Sensor
Noise class per EN ISO 3822	without
Max. inlet temperature	70 °C
Power supply type	Battery/mains
Backup battery	No
Sensing range	30 - 160 mm
Flush time adjustable	Yes
Programming	Remote control
With BMS connection	No
Self-closing	Yes
BATTERIES	
Battery identification	-
Contains battery	No
DANGEROUS GOODS	
Dangerous goods	No

1957000

HAZARDOUS SUBSTANCES

Hazardous substance No

IMPORT/EXPORT

Country of origin Germany

Statistical commodity code Sanitary faucets, not elsewhere specified or included (84818019)

LOGISTICS

Delivery time (working days) 14 days

Unlimited shelf life Yes

Shipping units 2

OTHER

REACH-SVHC Name Lead

SALES INFORMATION

Discontinued No

REGULATIONS

Meets UBA positive list requirements Yes

REACH Indicator Yes

Subject to UBA positive list Yes

RELATED PRODUCTS

ACCESSORIES



1002390

concept 9V plug-in power supply for washbasin faucets

1957000



1002391

concept Battery compartment 6x1.5V type AA for washbasin faucets



1002394

concept Concealed power supply 230VAC/9VDC for washbasin faucets



1002395

concept Concealed junction box for washbasin faucets



1002396

concept Bluetooth adapter for washbasin faucets

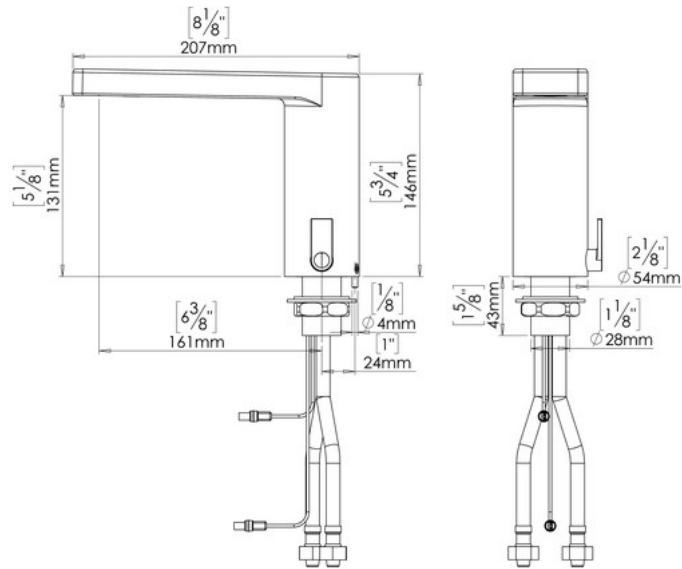


1002397

concept Remote control for electronic faucets

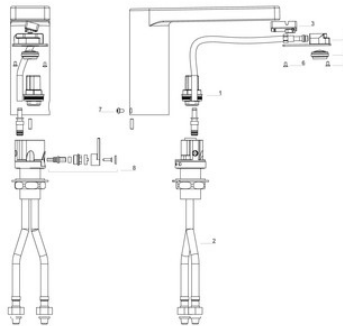
1957000

MORE IMAGES



concept Elektronik-Waschtischarmatur Mischwasser

1957000



TEILEBESCHREIBUNG

BEZEICHNUNG	ART.NR.	STÜCK
1 Magnetventil	0180165	1
2 Flex-Schlauchschlangengerät 3/8"	0180164	1
3 Sensor Elektronik (Bluetooth® fähig)	0180158	1
4 Sensor-Einsatz	1002549	1
5 Drahtregler 5,5Amp	1002579	1
6 Montagebuchse/ Drahtregler	1002578	1
7 Senkschraube M3x6, A2-070, TX, 8-PN 13	1009081	2
8 Wertschraubensensoren 100K mit Bohrung TR10	1009082	1
9 Schraube Metall, DIN 7994-A2	0504005	1
8 Maschweil (komplett)	0610234	1

1957000

