



concept

049070601

GTIN: 4021163105117

concept Angle Valve 1/2" Chrome Non-Self-Sealing

Per DIN 3227, DN 15 G 1/2 male, Ø 10 mm (DN 10 G 3/8 male), chrome

concept

049070601

ARTICLE DETAILS

concept Angle valve with regulation function COMFORT
With COMFORT handle. Per DIN 3227.

Scope of delivery

- Angle valve
- COMFORT handle
- Long push shaft
- Pull-proof brass cone compression fitting with length compensation
- Push rosette Ø 54 mm

Technical data

- Material: Brass, drinking water compliant
- Surface: chrome
- Connection: DN 15 G 1/2 male
- Abgang: Ø 10 mm (DN 10 G 3/8 AG)
- Certificates: P-IX 212/IA, ACS, DIN-DVGW, NF, SVGW, WRAS applied for
- Noise class: I
- Flow class: A

PROPERTIES

COMMERCIAL DATA

Minimum order quantity	1 pc
------------------------	------

DIMENSIONS (PRODUCT INCL. PACKAGING)

Length	88 mm
Width	75 mm
Height	28 mm
Volume	184,8 cm ³ (0,18 l)
Weight	0,132 kg

049070601

CHARACTERISTICS

Product group	Angle valve
Lockable	No
Shape	Right-angle
Built-in	No
Closing mechanism	Top part non-ceramic
With cover rosette	Yes
Operation	Handle
Supply connection	External thread
Supply connection size	1/2 inch
Branching connection	Union nut
Branching connection dimensions	3/8 inch
Built-in stop valve design	Built-in part
Faucet material	Brass
Base color	Chrome
Extension set available	No
Flow restrictor	No
With filter	No
Noise class per EN ISO 3822	Gruppe I, <= 20 dB(A)
Volume flow class	A
With pipe set	No
KIWA certification	No
Type approval per BBR/EKS	No

BATTERIES

Contains battery	No
------------------	----

049070601

DANGEROUS GOODS

Dangerous goods No

HAZARDOUS SUBSTANCES

Hazardous substance No

IMPORT/EXPORT

Country of origin Germany

Statistical commodity code Control valves, not elsewhere specified
↓
(84818059)

LOGISTICS

Delivery time (working days) 4 days

Unlimited shelf life Yes

Shipping units 1

OTHER

REACH-SVHC Name Lead

SCIP Database ID cc22a44a-f558-4397-8be1-a8355196c31b

SALES INFORMATION

Discontinued No

REGULATIONS

Registered in ECHA DB Yes

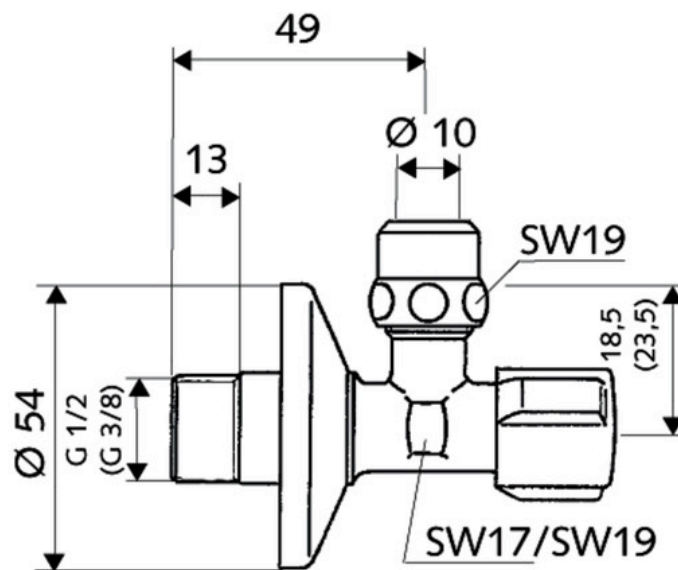
Meets UBA positive list requirements Yes

REACH Indicator Yes

Subject to UBA positive list Yes

049070601

MORE IMAGES



049070601

